

Catalog Number	
Project Notes	

## LED Panel 2'x2'

### Features & Functionality

<b>Purpose</b>	2'x2' new construction and LED panel for indoor IP20 projects.
<b>Material</b>	Aluminum body with polycarbonate lens
<b>Finish</b>	Available in White, Silver, or black trim
<b>Mounting</b>	Standard, suspended, T-Bar, retrofit, recessed, surface mount
<b>Color Temp.</b>	3500°K, 3700°K, 4000°K and 5000°K.
<b>Beam Spread</b>	120° beam angle, integral diffusor lens for no points of light
<b>Output</b>	2'x2' model: up to 4,320 Lumens
<b>Dimming</b>	0-10V, compatible with most dimming systems
<b>Voltage</b>	100 – 277 VAC
<b>Lifespan</b>	50,000 hours
<b>Warranty</b>	5-year warranty



### Lumen Information

SERIES	LUMENS	WATTAGE	EFFICACY
22	3,000	25	120Lm/W
22	3,600	30	120Lm/W
22	4,320	36	120Lm/W



### Product Selection Guide

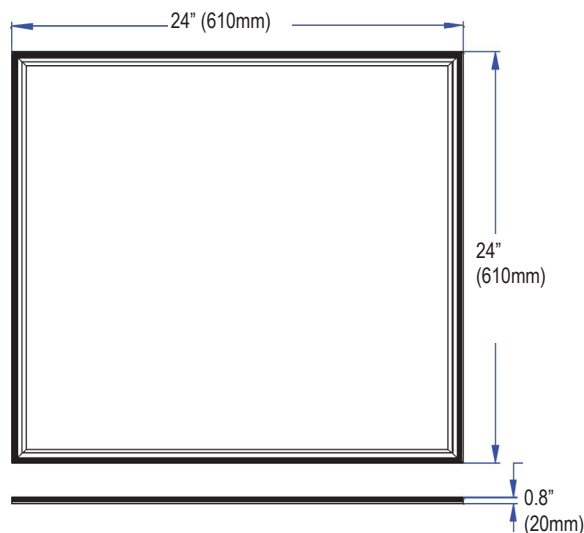
Example: AT-PN-22-36-40-A

PRODUCT	SERIES	WATTAGE	COLOR TEMP	COLOR
AT-PN – Attain LED Panel	22 – 2'x2' Square	25 – 25W	35 – 3500°K	W – White
		30 – 30W	37 – 3700°K	S – Silver
		36 – 36W	40 – 4000°K	
			50 – 5000°K	

Cable Suspension Kit available



### Dimensional Information



## LED Panel 2'x2'

### PHOTOMETRY

2'x2' LED Panel AT-PN-22-XX

