

Catalog Number	
Project Notes	

Acrylic High Bay

Features & Functionality

- Purpose** High lumen output LED high bay luminaire. Suitable for large retail, warehouse, commercial, and industrial applications.
- Material** Aluminum heat sink with Bayer PC reflector. integral driver.
- Mounting** Compatible standard hook mount for high bay applications
- LED** CREE MH-B LED
- Color Temp.** 3500°K, 4000°K and 5000°K available.
- Output** Up to 15,000 Lumens
- Dimming** 0-10V dimming compatible with most dimming systems
- Voltage** 100-277 VAC
- Lifespan** 50,000 hours
- Warranty** 5-year warranty

Lumen Information

LUMENS	WATTAGE	EFFICACY
6,000Lm	60W	100Lm/W
8,000Lm	80W	100Lm/W
11,000Lm	110W	100Lm/W
15,000Lm	150W	100Lm/W

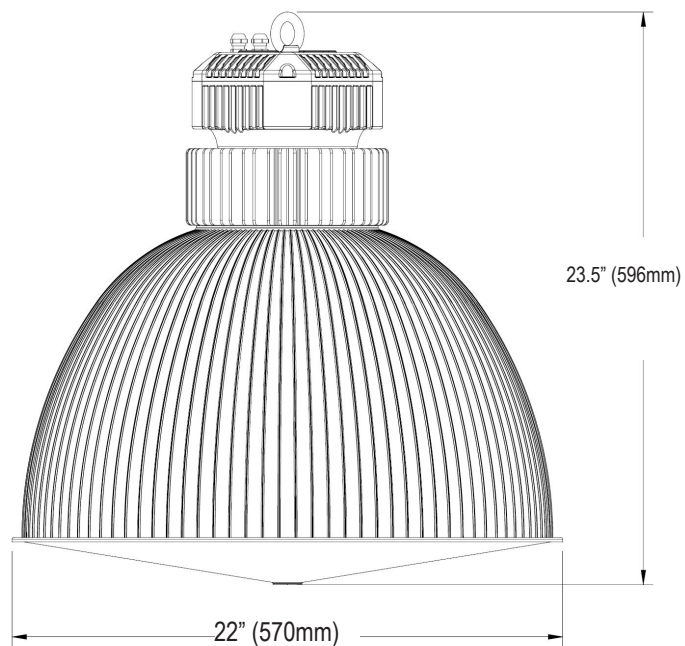
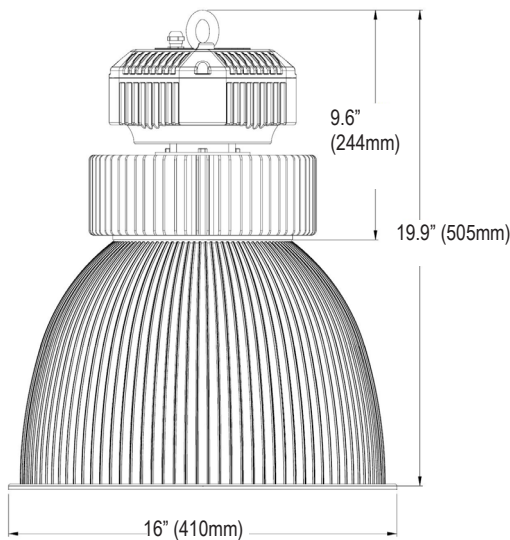


Product Selection Guide

Example: AT-AC-HB-16-110-40

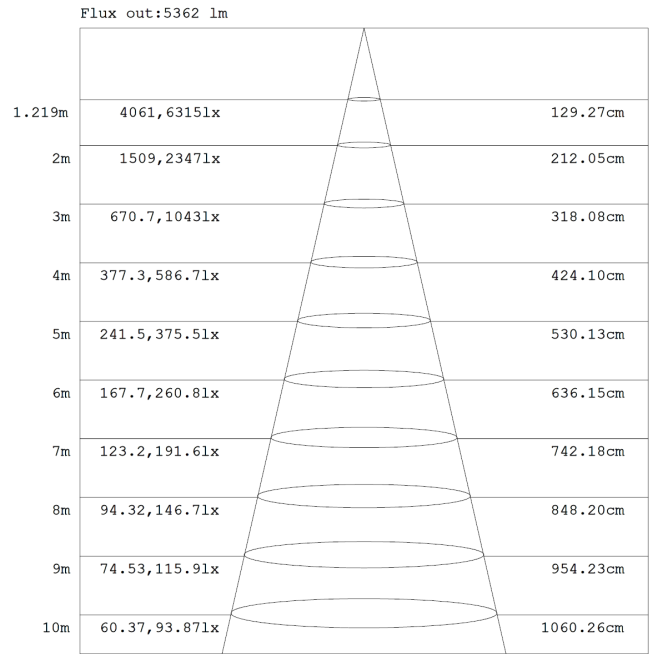
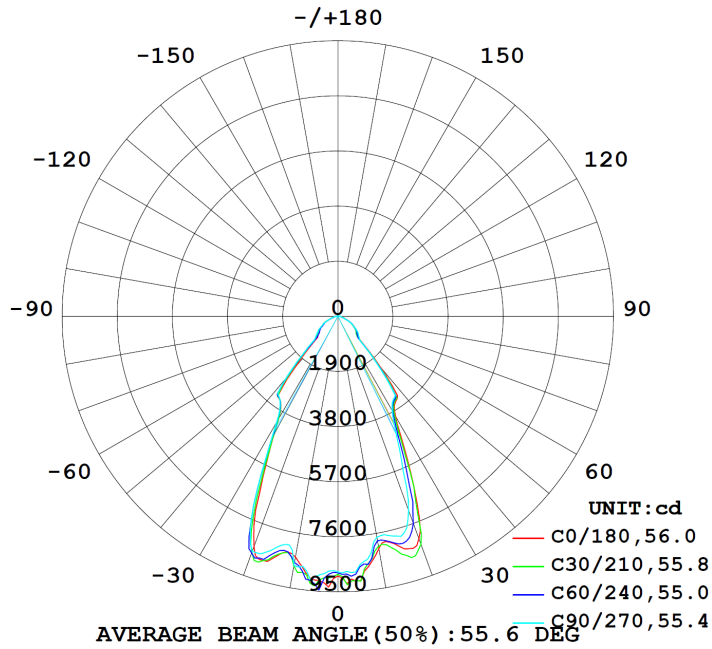
PRODUCT	SERIES	BODY	WATTAGE	COLOR TEMP
AT-AC – Attain Acrylic Lens	HB – High Bay	16 – 16" Dia.	60 – 60W	35 – 3500°K
		22 – 22" Dia.	80 – 80W	40 – 4000°K
			110 – 110W	50 – 5000°K
			150 – 150W	

Dimensional Information



Acrylic High Bay PHOTOMETRY

AT-HB-B110-502_IESNA2002



Note: The Curves indicate the illuminated area and the average illumination when the luminaire is at different distance.