

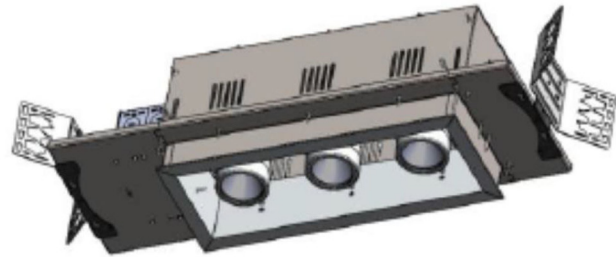
Catalog Number	
Project Notes	

Recessed Multi-Head

Features & Functionality

- Purpose** Independently adjustable multi-head indoor LED luminaire
- Concept** COB LED multi-head recessed luminaire with individual aiming heads
- Material** Aluminum luminaire body(s) within ETL rated IC enclosure with integral driver.
- Finish** Fixture (front fascia and fixture head(s)) available in White or Black finishes.

- Mounting** Hanger-bar mount, bars included
- LED** CREE COB LED
- Fixture Head** Double Gimbal
- Color Temp.** 3000°K, 3500°K, 4000°K and 5000°K available.
- Beam Spread** 24° beam spread
- Output** Up to 4300 Lumens
- Dimming** 100% to 10%. Compatible with most dimmers
- Voltage** 100 – 277 VAC
- Lifespan** 50,000 hours
- Warranty** 5-year warranty



Lumen Information

MODEL	LUMENS	WATTAGE	EFFICACY
(1) LED Head	1,200Lm	15W	75Lm/W
(2) LED Head	2,400Lm	30W	75Lm/W
(3) LED Head	3,600Lm	45W	70Lm/W
(4) LED Head	4,300Lm	60W	70Lm/W



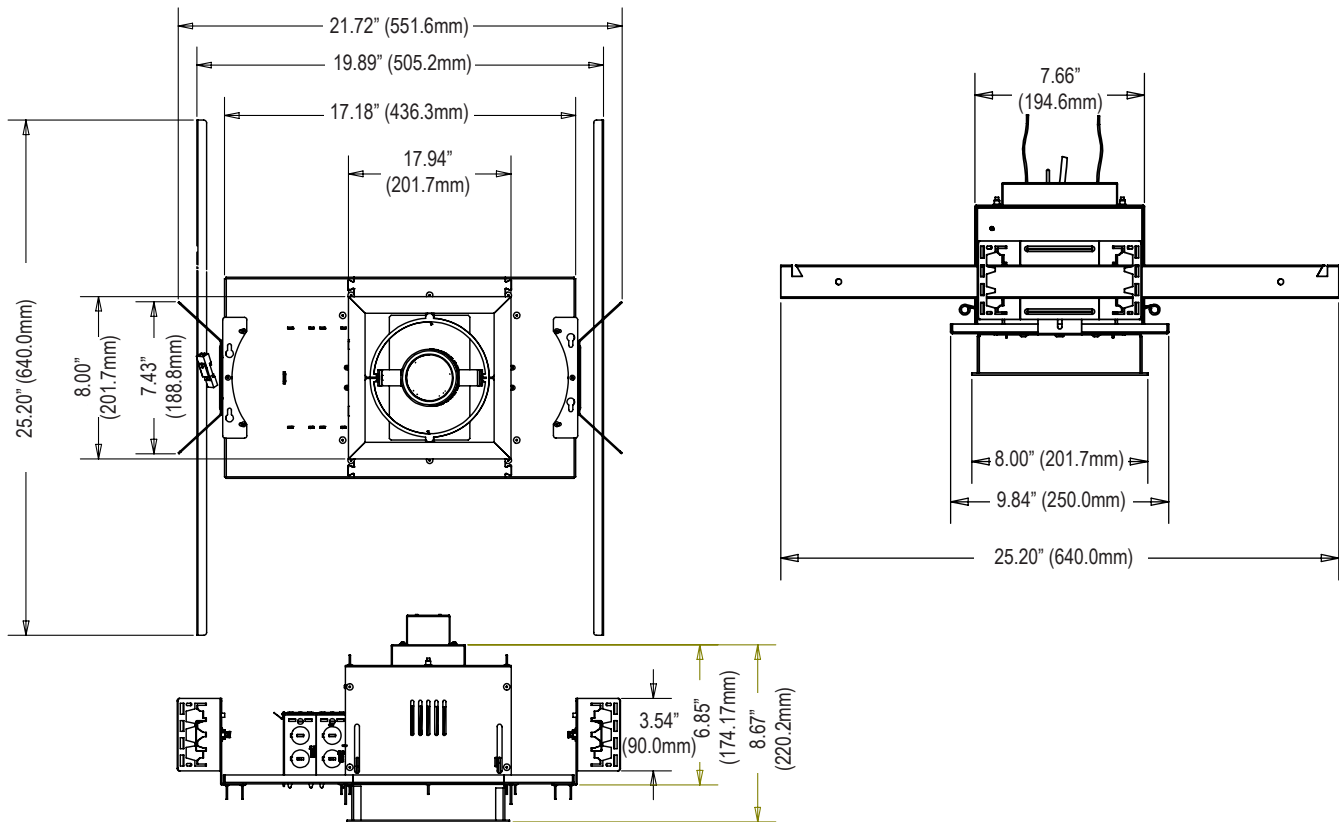
Product Selection Guide

Example: AT-DL-2L-30-30-95-24-C-WH-WH

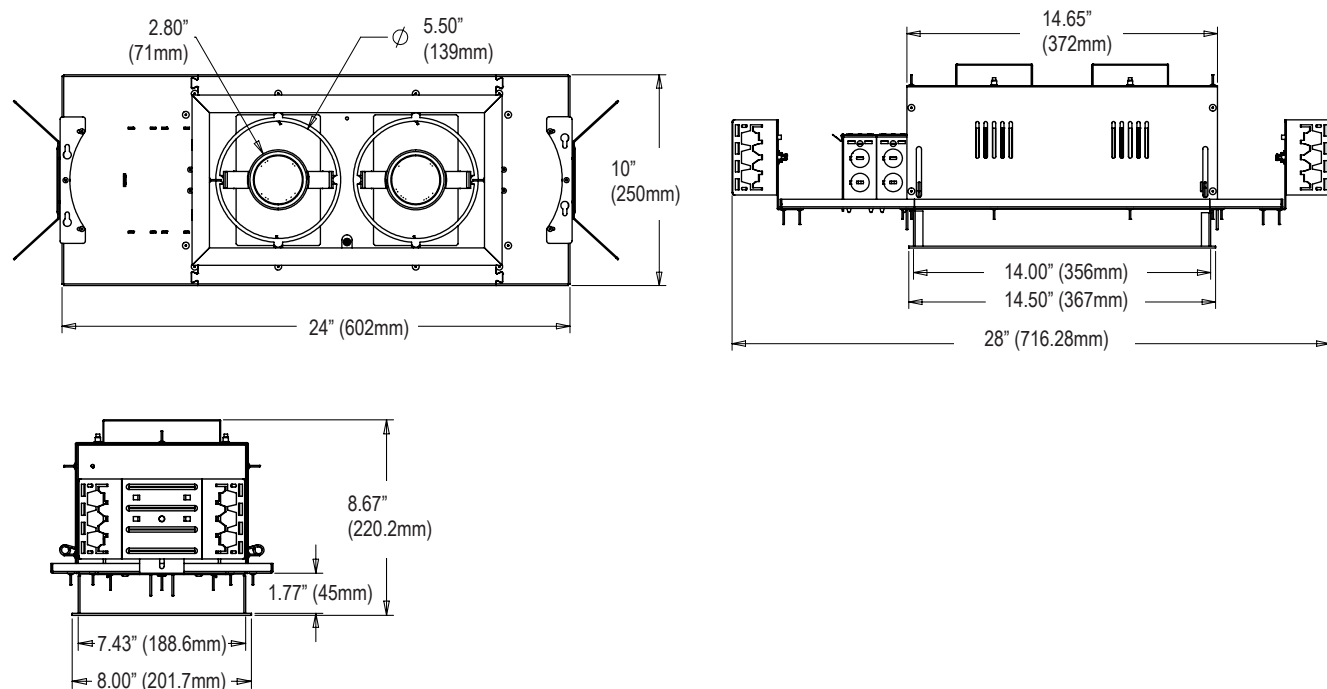
PRODUCT	SERIES	WATTAGE	COLOR TEMP	CRI	OPTICS	VOLTAGE	FIXTURE COLOR	TRIM
AT-DL – Attain LED Down Light	1L – (1) LED Head	15 – 15W (1) head only	30 – 3000°K	82 – 82 CRI	24 – 24°	C – 120-277VAC	WH – White BK – Black	WH – White
	2L – (2) LED Head	30 – 30W (2) head only	35 – 3500°K	95 – 95 CRI				
	3L – (3) LED Head	45 – 45W (3) head only	40 – 4000°K					
	4L – (4) LED Head	60 – 60W (4) head only	50 – 5000°K					
	4LS – (4) LED Head							

Dimensional Information

(1) LED Head Unit

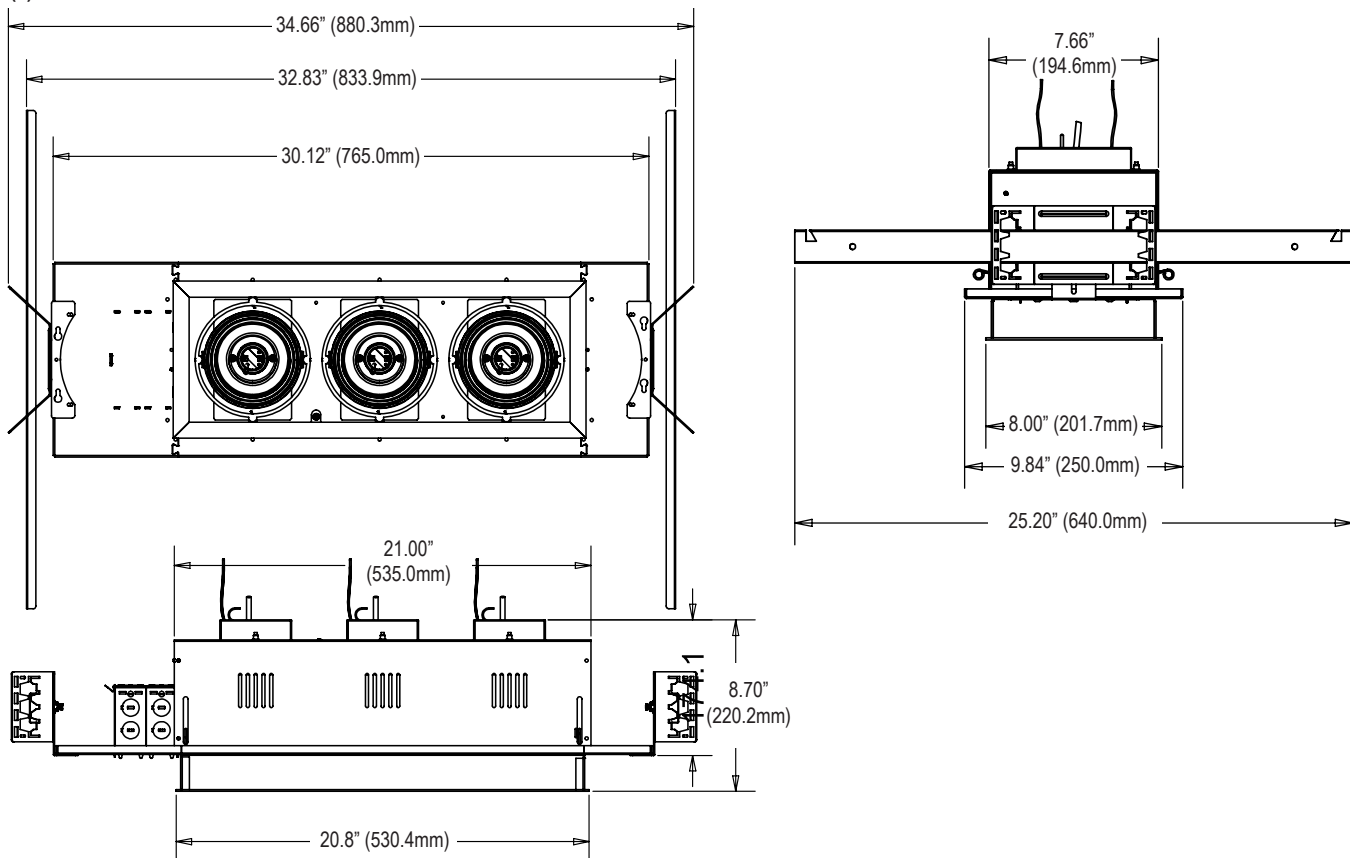


(2) LED Head Unit



Dimensional Information

(3) LED Head Unit



(4) LED Head Unit

