

Catalog Number	
Project Notes	

LED Edge Lit Panel 2'x4'

Features & Functionality

- Purpose** 2'x4' new construction and LED panel for indoor IP20 projects.
- Material** Extruded aluminum body with polycarbonate lens
- Finish** White or black trim available
- Mounting** Standard suspended T-Bar retrofit mount, suspended with cable kit, built in Earthquake clips
- Color Temp.** 3500°K, 3700°K, 4000°K and 5000°K.
- Beam Spread** 120° beam angle edge lit with integral diffusor lens for no points of light
- Output** 2'x4' model: up to 7,020 Lumens
- Dimming** 0-10V, compatible with most dimming systems
- Voltage** 100 – 277 VAC
- Warranty** 5 Years
- L70 Calculated Life (Hrs): 215,000*****



Lumen Information

SERIES	LUMENS	WATTAGE	EFFICACY
24	5,200	40	130Lm/W
24	5,850	45	130Lm/W
24	6,500	50	130Lm/W
24	7,020	54	130Lm/W



Product Selection Guide

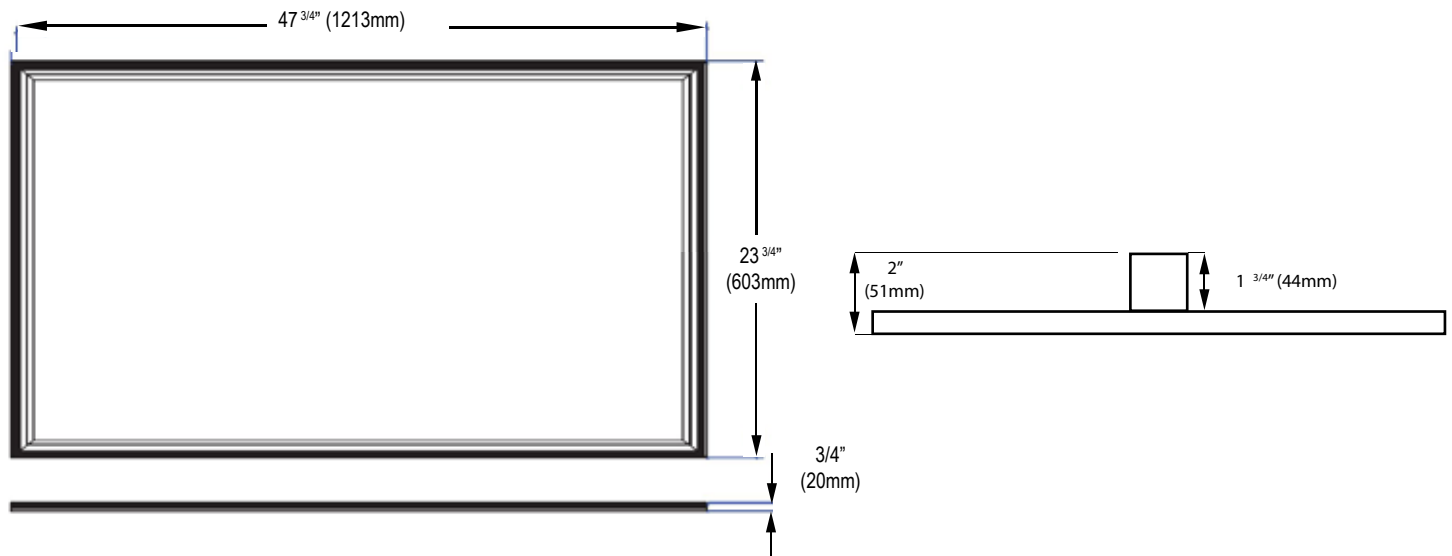
Example: AT-PN-24-45-40-W

PRODUCT	SERIES	WATTAGE	COLOR TEMP	FRAME COLOR	OPTIONS
AT-PN – Attain LED Panel	24 – 2'x4' Rectangular	40 – 40W	35 – 3500°K	W – White	EM- Emergency Battery Backup
		45 – 45W	37 – 3700°K	B – Black	
		50 – 50W	40 – 4000°K		
		54 – 54W	50 – 5000°K		

Cable Suspension Kit available



Dimensional Information



***Projected LED lumen maintenance based on the IES TM-21 model. Calculation is based on 6,000 hours of LM-80 data.

LED Panel 2'x4'

PHOTOMETRY

2'x4' LED Panel AT-PN-24-XX

